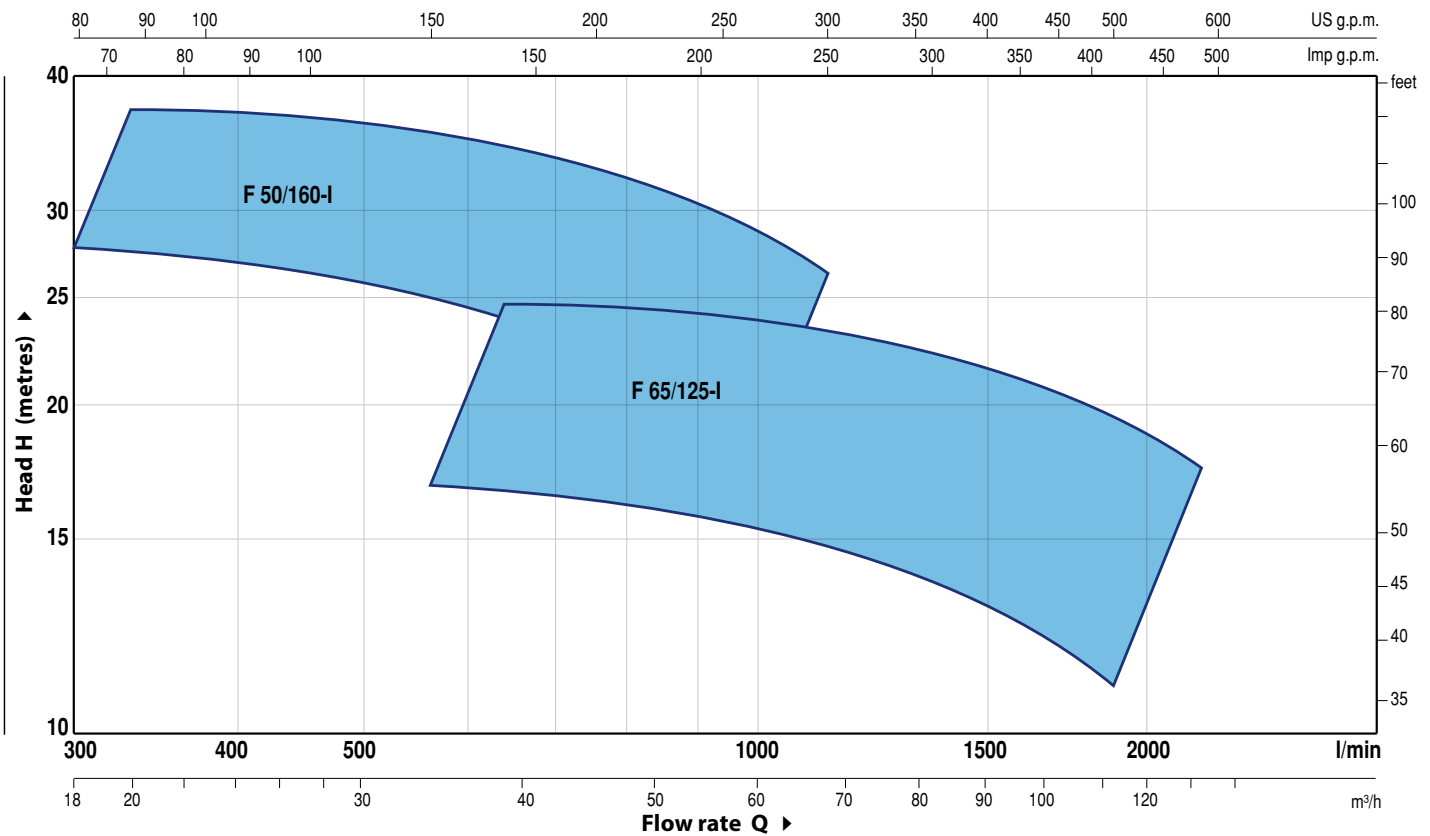


PERFORMANCE RANGE

60 Hz n= 3450 min⁻¹



PERFORMANCE DATA

60 Hz n= 3450 min⁻¹

MODEL	POWER (P ₂)		▲	PERFORMANCE	
	kW	HP		Q l/min	H metres
F 50/160C-I	4	5.5	IE3	300 – 1000	27 – 16
F 50/160B-I	5.5	7.5		300 – 1100	32 – 21
F 50/160A-I	7.5	10		300 – 1100	37 – 27
F 65/125C-I	4	5.5	IE3	600 – 1800	16 – 11
F 65/125B-I	5.5	7.5		600 – 2000	18 – 13
F 65/125A-I	7.5	10		600 – 2200	23 – 18

Q = Flow rate

H = Total manometric head

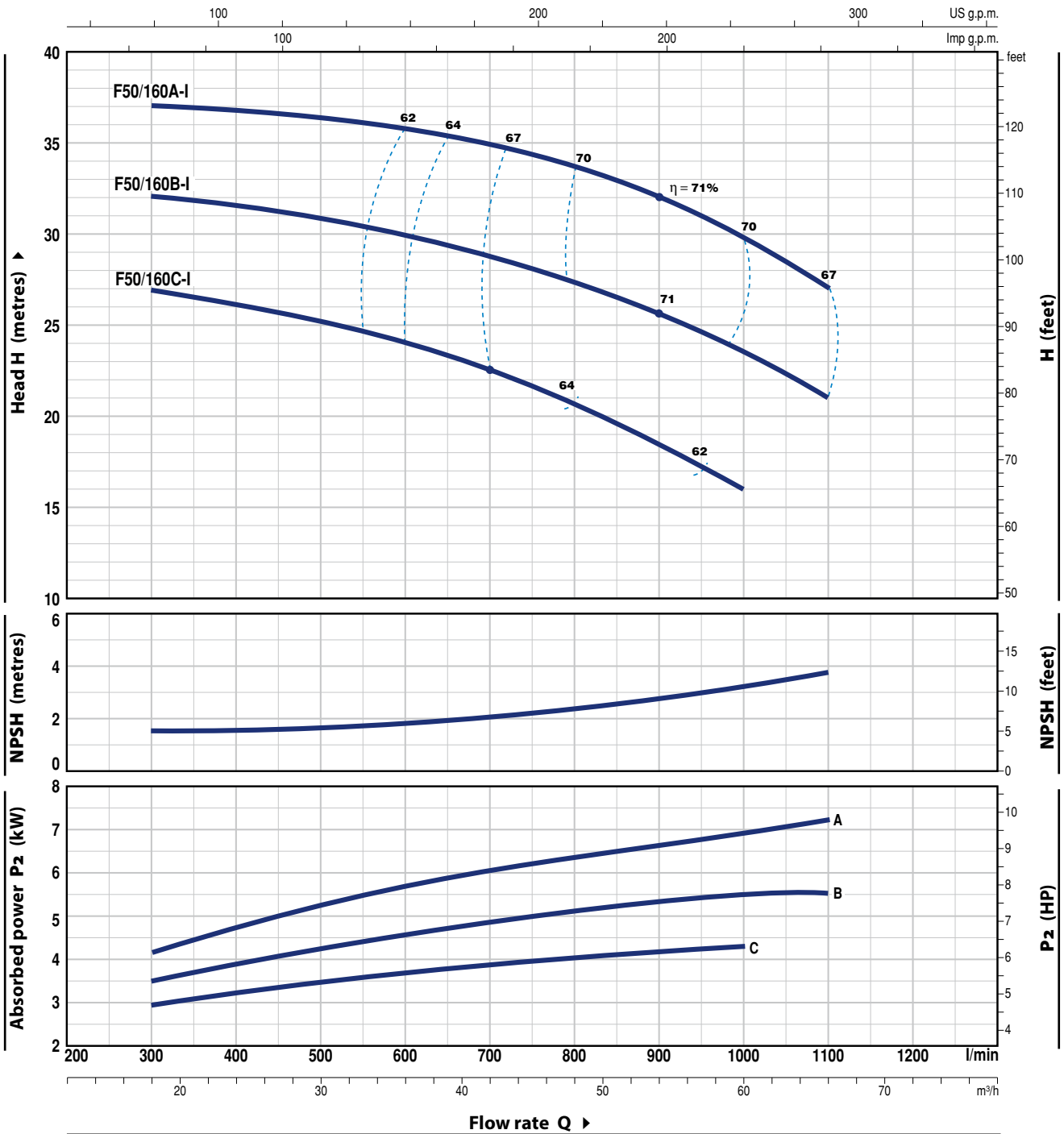
Tolerance of characteristic curves in compliance with EN ISO 9906 Grade 3B.

▲ Three-phase motor efficiency class (IEC 60034-30-1)

F50/160-I

CHARACTERISTIC CURVES AND PERFORMANCE DATA

60 Hz n= 3450 min⁻¹ HS= 0 m



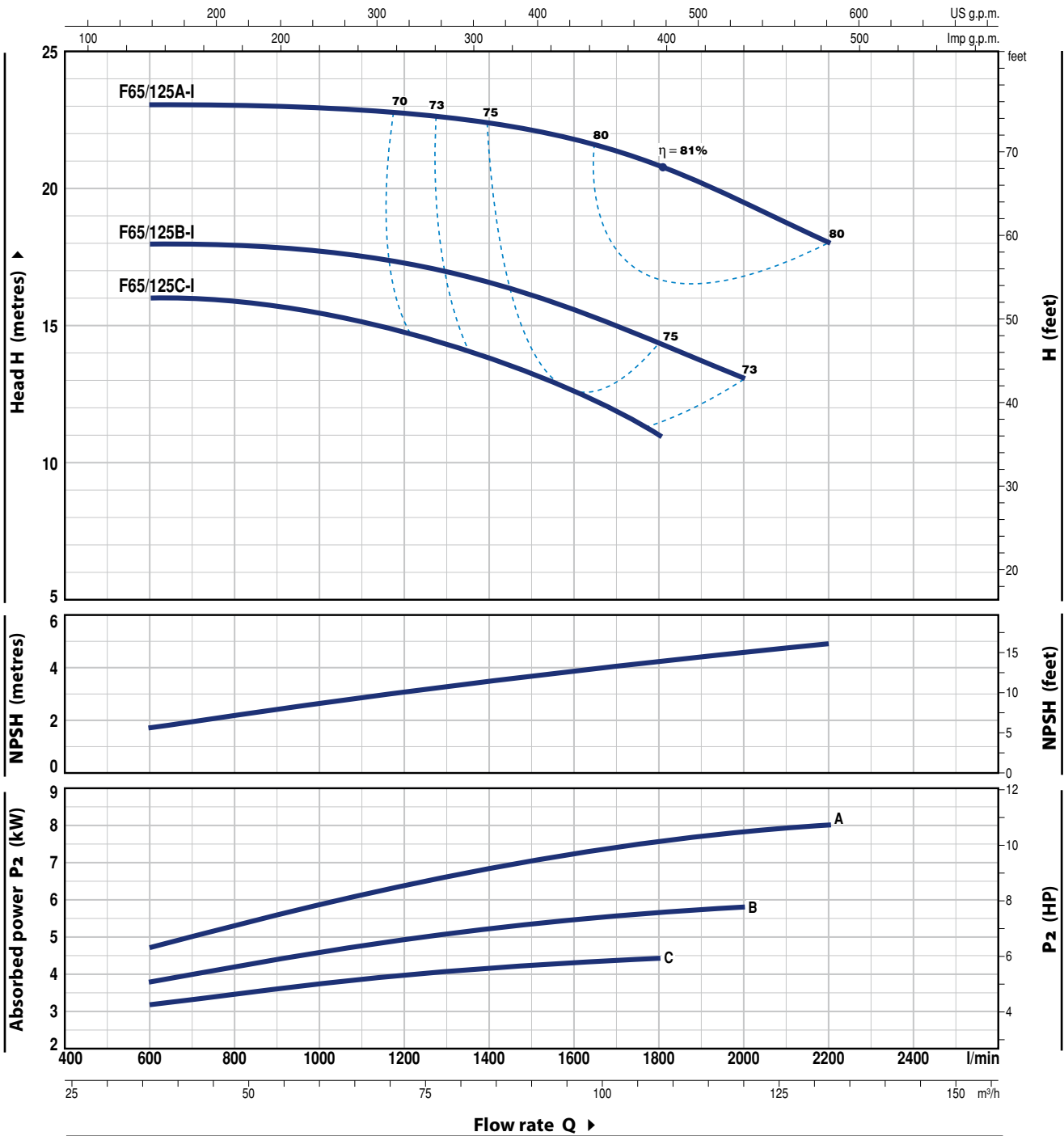
MODEL	POWER (P ₂)		Q	Flow rate											
	kW	HP		m ³ /h	0	18	24	30	36	42	48	54	60	66	
Three-phase			l/min	0	300	400	500	600	700	800	900	1000	1100		
F 50/160C-I	4	5.5	H metres	27	88.5	87	82	80.5	75.5	65.5	18.5	16			
F 50/160B-I	5.5	7.5		33	105	104	101.5	98.5	95	88.5	26	24	21		
F 50/160A-I	7.5	10		38	121.5	120.5	119.5	118	111.5	33	32	30	27		

Q = Flow rate H = Total manometric head HS = Suction height

Tolerance of characteristic curves in compliance with EN ISO 9906 Grade 3B.

CHARACTERISTIC CURVES AND PERFORMANCE DATA

60 Hz n = 3450 min⁻¹ HS = 0 m



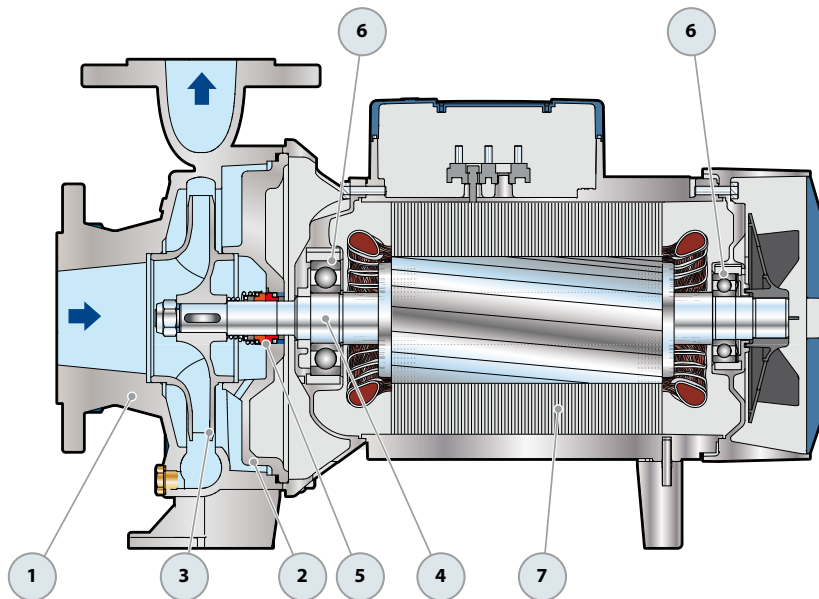
MODEL	POWER (P ₂)		Q m ³ /h l/min	0	36	48	60	72	84	96	108	120	132
	kW	HP		0	600	800	1000	1200	1400	1600	1800	2000	2200
F 65/125C-I	4	5.5	H metres	16	52.5	52.5	51	47.5	44.5	41	11		
F 65/125B-I	5.5	7.5		18	59	59	59	56	54	51	47.5	13	
F 65/125A-I	7.5	10		23	75.5	75.5	75.5	74	74	72	69	64	18

Q = Flow rate H = Total manometric head HS = Suction height

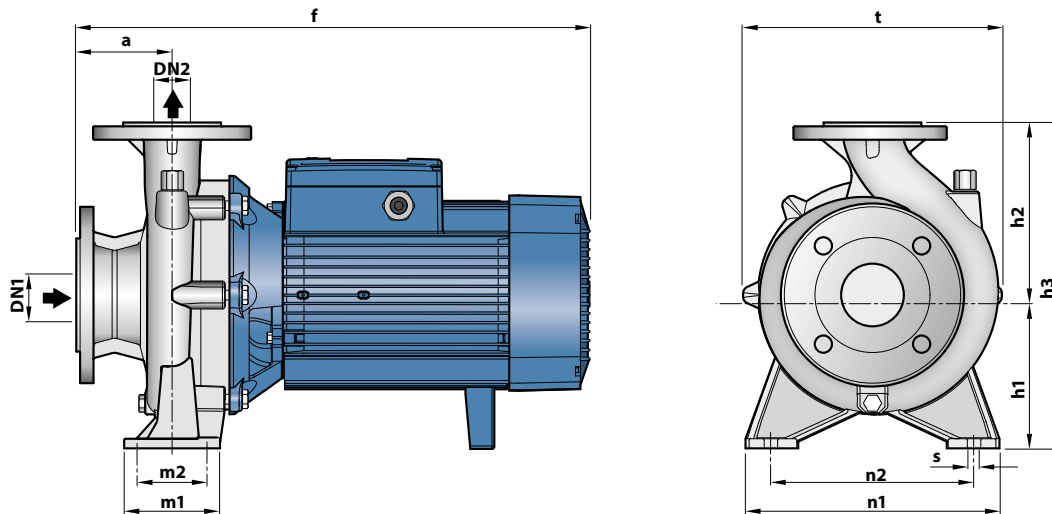
Tolerance of characteristic curves in compliance with EN ISO 9906 Grade 3B.

POS. COMPONENT CONSTRUCTION CHARACTERISTICS

1	PUMP BODY	Stainless steel AISI 316 complete with flanged suction and delivery ports					
2	BODY BACKPLATE	Stainless steel AISI 316					
3	IMPELLER	Stainless steel AISI 316					
4	MOTOR SHAFT	Stainless steel AISI 316L					
5	MECHANICAL SEAL	<i>Pump</i>	<i>Seal</i>	<i>Shaft</i>	<i>Materials</i>		
		<i>Model</i>	<i>Model</i>	<i>Diameter</i>	<i>Stationary ring</i>	<i>Rotational ring</i>	<i>Elastomer</i>
		F50/160-I F65/125-I	FN-24SV	Ø 24 mm	Silicon carbide	Silicon carbide	Viton
6	BEARINGS	<i>Pump</i>	<i>Model</i>				
		F50/160-I F65/125-I	6307 ZZ-C3 / 6206 ZZ-C3				
7	ELECTRIC MOTOR	<p>F: three-phase 220/380 V - 60 Hz or 220/240 V - 60 Hz</p> <p>⇒ The three-phase pumps are fitted with high performance motors in class IE3 (IEC 60034-30-1)</p> <p>– Insulation: class F</p> <p>– Protection: IP 55</p>					



DIMENSIONS AND WEIGHT



MODEL	DIMENSIONS mm												kg 3~	
	DN1	DN2	a	f	h3	h1	h2	t	n2	n1	m1	m2		s
F 50/160C-I	65	50	100	489	340	160	180	269	212	265	100	70	14	50.2
F 50/160B-I				535										54.0
F 50/160A-I				511										65.5
F 65/125C-I	80	65	100	511	340	160	180	291	212	280	125	95	14	62.6
F 65/125B-I				557										67.7
F 65/125A-I				557										72.9

ABSORPTION

MODEL	VOLTAGE			
	220 V	380 V	220 V	440 V
Three-phase				
F 50/160C-I	17.7 A	10.3 A	16.4 A	12.5 A
F 50/160B-I	21.0 A	12.0 A	20.8 A	13.5 A
F 50/160A-I	28.0 A	16.5 A	26.7 A	17.5 A
F 65/125C-I	18.0 A	10.4 A	19.5 A	12.5 A
F 65/125B-I	22.5 A	13.0 A	22.0 A	13.8 A
F 65/125A-I	28.8 A	16.6 A	32.0 A	19.5 A