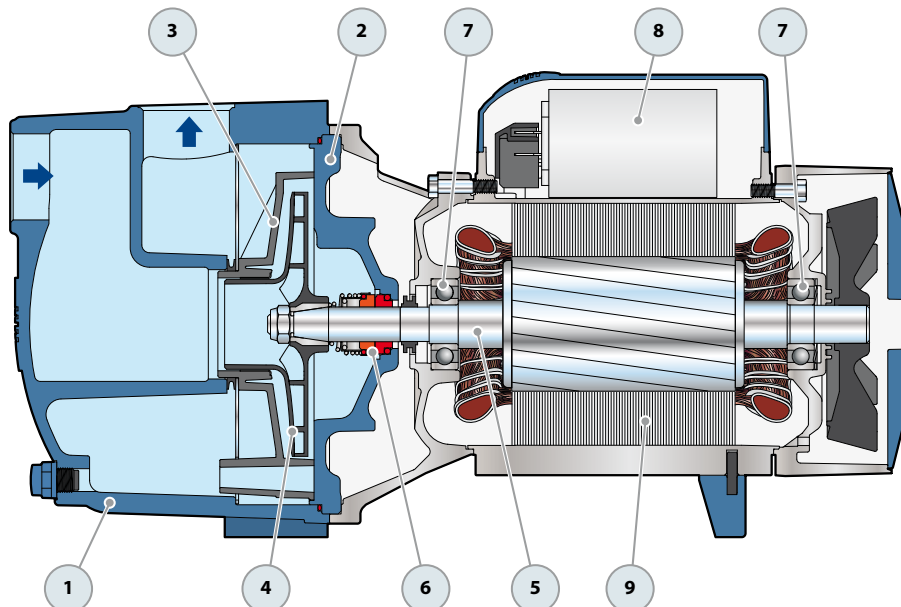


SPRINKLER

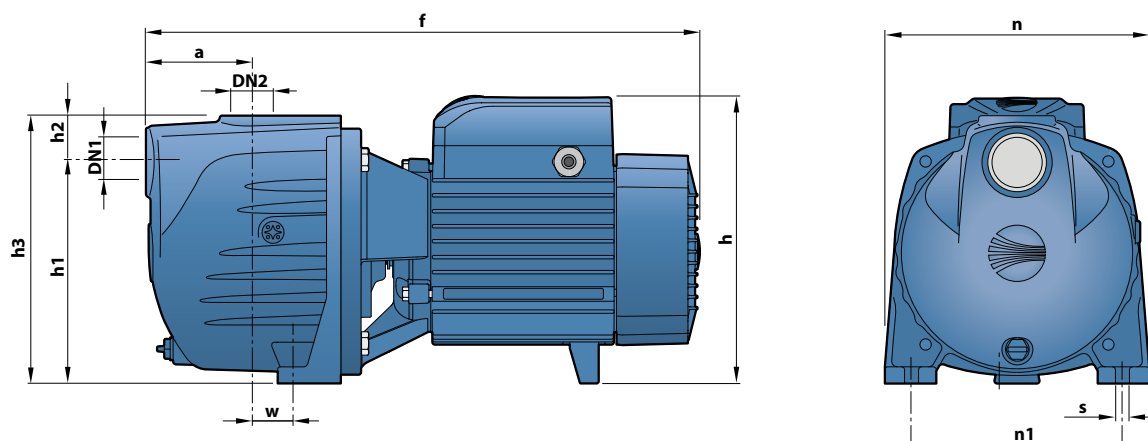
POS. COMPONENT

CONSTRUCTION CHARACTERISTICS

1	PUMP BODY	Cast iron with an Epoxy Electro Coating treatment, with NPT ANSI B 1.20.1 threaded ports			
2	BODY BACKPLATE	Cast iron with an Epoxy Electro Coating treatment			
3	DIFFUSER	Noryl FE1520PW			
4	IMPELLER	Noryl FE1520PW			
5	MOTOR SHAFT	Stainless steel EN 10088-3 - 1.4104			
6	MECHANICAL SEAL	Seal Model	Shaft Diameter	Materials	
		FN-18	Ø 18 mm	Stationary ring Graphite	Rotational ring Ceramic Elastomer NBR
7	BEARINGS	6204 ZZ / 6204 ZZ			
8	CAPACITOR	Pump Single-phase	Capacitance (20 V)	(110 V or 115 V)	
		SKRm 1.5	50 µF - 450 VL	80 µF - 250 VL	
9	ELECTRIC MOTOR	SKRm: single-phase 7PS20 V - 60 Hz with thermal overload protector incorporated into the winding.			
		<ul style="list-style-type: none"> - Insulation: class F - Protection: IP X4 			



DIMENSIONS AND WEIGHT



MODEL	PORTS		DIMENSIONS mm										kg		
	DN1	DN2	a	f	h	h1	h2	h3	n	n1	w	s	1~		
Single-phase															
SKRm 1.5	1½" NPT	1½" NPT	91	465	241	186	39	225	223	178	37.5	11	-		

ABSORPTION

MODEL	VOLTAGE		
Single-phase	230 V		115 V
SKRm 1.5	11		22

PALLETIZATION

MODEL	GROUPAGE	CONTAINER
Single-phase	n. pumps	n. pumps
SKRm 1.5	35	49