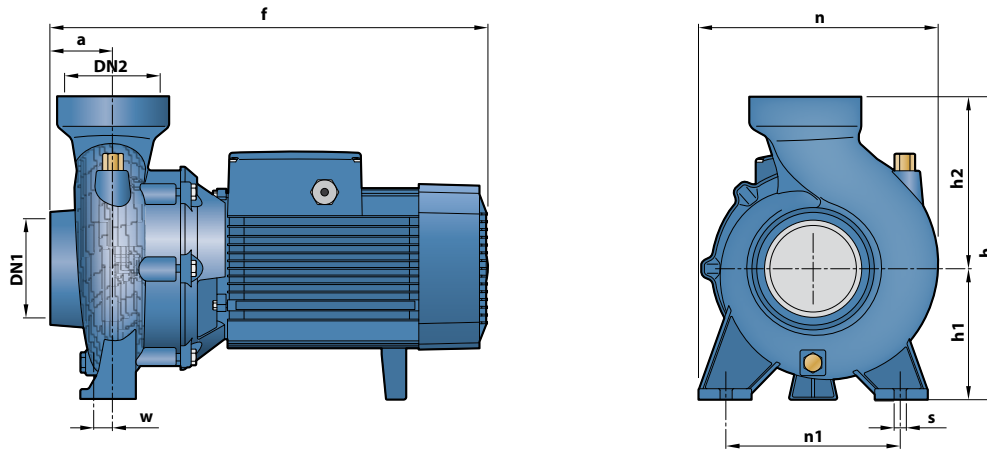


DIMENSIONS AND WEIGHT



MODEL		PORTS in		DIMENSIONS mm									lb	
Single-phase	Three-phase	DN1	DN2	a	f	h	h1	h2	n	n1	w	s	1~	3~
HFm 6B	HF 6B	3"	3"	68	411		120	192	240		6	12	26.5	25.5
HFm 6A	HF 6A				441/411								29.2	26.7

ABSORPTION

MODEL	VOLTAGE		
Single-phase	230 V	115 V	127 V
HFm 6B	12.0 A	24.0 A	22.3 A
HFm 6A	14.5 A	-	-

MODEL	VOLTAGE			
Three-phase	230 V	380 V	230 V	460 V
HF 6B	8.6 A	5.0 A	7.6 A	4.2 A
HF 6A	10.7 A	6.2 A	9.0 A	4.8 A