

AL-RED

Stainless steel centrifugal pump

-  Clean water
-  Domestic use
-  Agricultural use
-  Industrial use



PERFORMANCE RANGE

- Maximum flow rate **47.55 us gallons**
- Maximum head **104.98 ft**

APPLICATION LIMITS

- Manometric suction lift up to **23 ft**
- Liquid temperature between **14°F** and **+194 °F**
- Ambient temperature between **14 °F** and **+104 °F**
- Max. working pressure **4 bar**
- Continuous service **S1**

CONSTRUCTION AND SAFETY STANDARDS

EN 60335-1
IEC 60335-1
CEI 61-150

EN 60034-1
IEC 60034-1
CEI 2-3



CERTIFICATIONS

Company with management system certified DNV
ISO 9001: QUALITY
ISO 14001: ENVIRONMENT

INSTALLATION AND USE

Suitable for use with clean water and with liquids that are not chemically aggressive towards the materials from which the pump is made. Because of its design features this centrifugal pump is recommended for use in domestic, agricultural and industrial applications. All the components in contact with the pumped liquid are in stainless steel AISI 304 thus guaranteeing complete hygiene and maximum resistance against corrosion. The pump should be installed in an enclosed environment or sheltered from inclement weather.

PATENTS - TRADE MARKS - MODELS

- Registered Trade Mark n. 0001575587 AL-RED®

OPTIONS AVAILABLE ON REQUEST

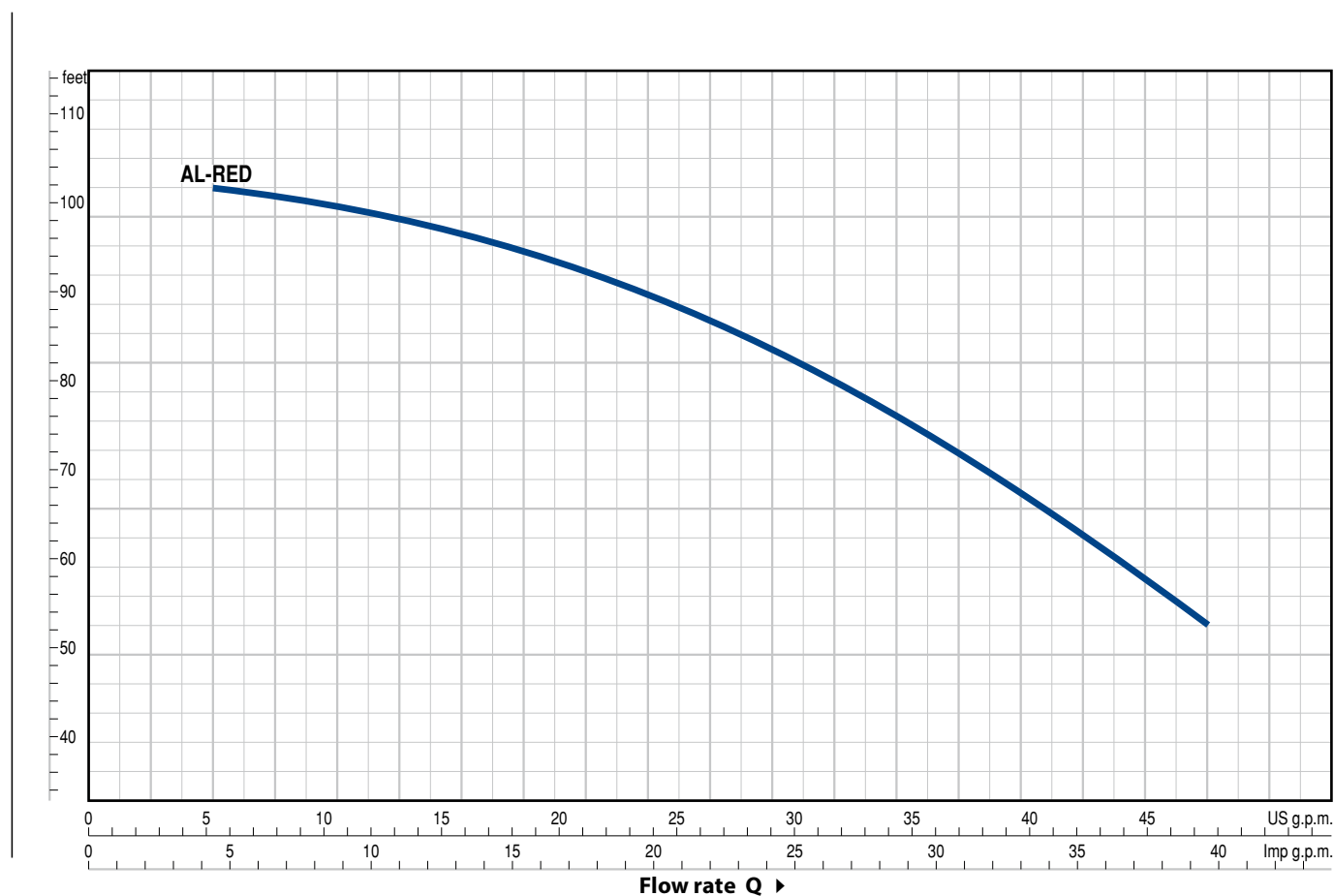
- Pump body with NPT ANSI B 1.20.1 threaded ports
- Special mechanical seal
- EN 10088-3 - 1.4401 (AISI 316) stainless steel pump shaft
- Other voltages
- IP X5 class protection

GUARANTEE

2 years subject to terms and conditions

CHARACTERISTIC CURVES AND PERFORMANCE DATA

60 Hz n= 3450 rpm HS= 0 m

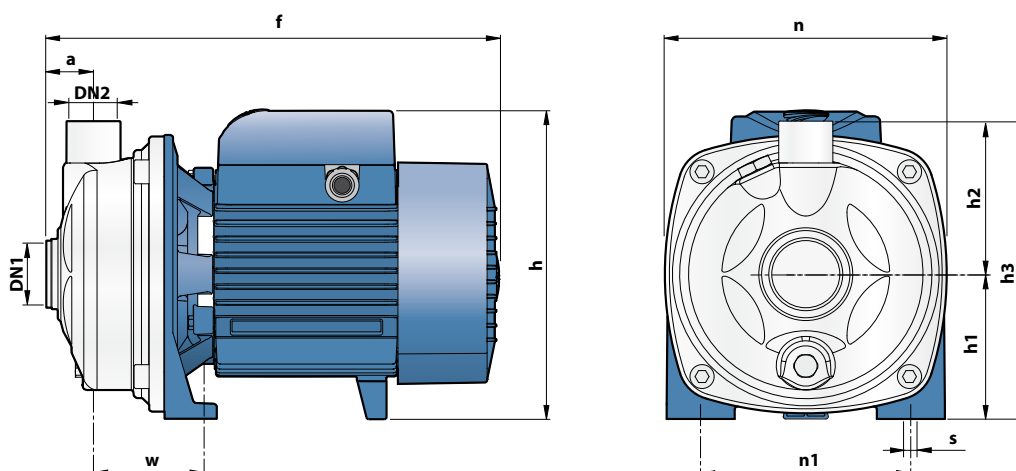


| MODEL | | POWER (P ₂) | | Q | | | | | | | | | | |
|--------------|-------------|-------------------------|----|----------|-------------------|----|------|------|------|------|------|-----|------|-----|
| Single-phase | Three-phase | kW | HP | | m ³ /h | 0 | 1.2 | 2.4 | 3.6 | 4.8 | 6 | 7.2 | 8.4 | 9.6 |
| | | | | l/min | 0 | 20 | 40 | 60 | 80 | 100 | 120 | 140 | 160 | 180 |
| AL-RED 135m | AL-RED 135 | 0.75 | 1 | H metres | 32 | 31 | 30.5 | 29.5 | 28.1 | 26.4 | 24.4 | 22 | 19.3 | 16 |

Q = Flow rate H = Total manometric head HS = Suction height

Tolerance of characteristic curves in compliance with EN ISO 9906 Grade 3B.

DIMENSIONS AND WEIGHT



| MODEL | | PORTS | | DIMENSIONS mm | | | | | | | | | | Lbs | |
|--------------|-------------|-------|-----|---------------|-----|-------|----|-----|-----|-----|-----|------|----|-------|-------|
| Single-phase | Three-phase | DN1 | DN2 | a | f | h | h1 | h2 | h3 | n | n1 | w | s | 1~ | 3~ |
| AL-RED 135m | AL-RED 135 | 1¼" | 1" | 31 | 296 | 206 * | 97 | 103 | 200 | 186 | 135 | 73.5 | 10 | 20.06 | 19.84 |

(*) h=225 mm for single phase versions at 110V or 127 V

ABSORPTION

| MODEL | VOLTAGE | | |
|--------------|---------|--------|--------|
| Single-phase | 230 V | 115 V | 127 V |
| AL-RED 135m | 7.0 A | 13.2 A | 12.3 A |

| MODEL | VOLTAGE | | | |
|-------------|---------|-------|-------|-------|
| Three-phase | 230 V | 380 V | 230 V | 460 V |
| AL-RED 135 | 3.5 A | 2.0 A | 4.2 A | 2.5 A |